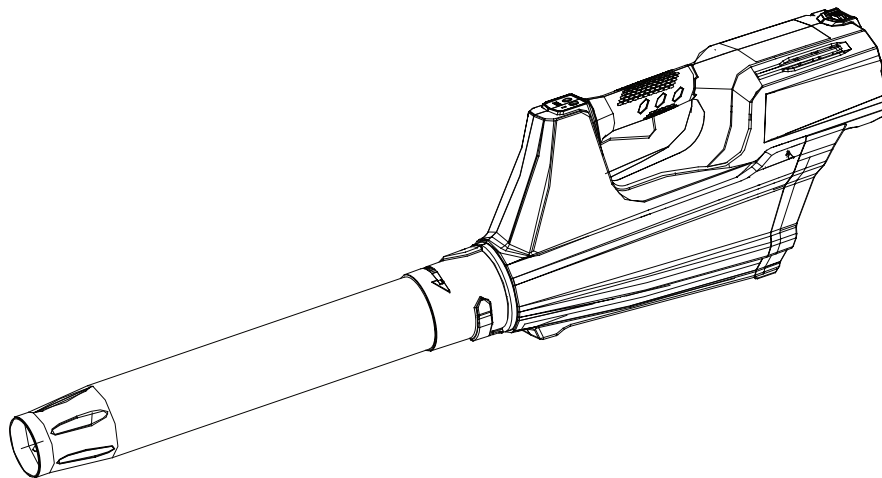




80V CORDLESS BRUSHLESS BLOWER
GBL80300
2400102



Owner's Manual

TOLL-FREE HELPLINE: 1-888-90WORKS (888.909.6757)

www.GreenWorksTools.com

Read all safety rules and instructions carefully before operating this tool.

CONTENTS

Contents	2
Product specifications	2
General safety rules	3-5
Symbols	6-7
Know your blower	8
Assembly instruction	9-10
Operation	11-13
Maintenance	14
Environmentally safe battery disposal	15
Troubleshooting	16
Warranty	17
Exploded View	18
Parts List	19

PRODUCT SPECIFICATIONS

80V CORDLESS BRUSHLESS BLOWER

Type	Cordless, battery-operated
Motor	80 V
Air volume	500CFM
Air speed (Max)	125MPH
Weight (without battery)	5.7 lbs
Weight (with 2Ah battery)	8.9 lbs
Charge time (with 2Ah battery)	30 min



GENERAL SAFETY RULES

W A R N I N G

Read and understand all instructions before using this product. Failure to follow all instructions listed below may result in electric shock, fire, and/or serious personal injury.

- Do not operate power tools in explosive atmospheres, such as in the presence of flammable liquids, gases, or dust. Power tools create sparks which may ignite the dust or fumes.
- Do not allow children or untrained individuals to use this unit.
- Don't expose power tools to rain or wet conditions. Water entering a power tool will increase the risk of electric shock.
- Do not handle plug or tool with wet hands.
- Never allow children to operate the equipment. Never allow adults to operate the equipment without proper instruction.
- Always wear safety glasses with side shields that comply with ANSI Z87.1. Everyday glasses have only impact resistant lenses. They are NOT safety glasses. Following this rule will reduce the risk of eye injury. Use face mask if operation is dusty.
- Wear eye protection when operating this product. Secure long hair above shoulder level to prevent entanglement in moving parts.
- Use extra care when cleaning on stairs.
- Do not expose to rain, store indoors.
- Do not operate in poor lighting.
- Keep all parts of your body away from any moving part.
- Keep hair, loose clothing, fingers and all body parts away from openings and moving parts.
- Wear heavy long pants, boots, and gloves. Avoid loose garments and jewelry that could get caught in moving parts of the machine or its motor.
- Do not force tool. Use the correct tool for your application. The correct tool will do the job better and safer at the rate for which it is designed.
- Do not operate the equipment while barefoot or when wearing sandals or similar lightweight footwear. Wear protective footwear that will protect your feet and improve your footing on slippery surfaces.
- Keep firm footing and balance. Do not overreach. Overreaching can result in loss of balance.
- Do not allow to be used as a toy. Close attention is necessary when used by or near children.
- Do not use tool if switch does not turn it on or off. Any tool that cannot be controlled with the switch is dangerous and must be repaired.
- Keep all bystanders, children, and pets at least 50 ft. away.
- Do not operate this unit when you are tired, ill, or under the influence of alcohol, drugs, or medication.
- Do not operate in poor lighting.
- Keep all parts of your body away from any moving parts and all hot surfaces of the unit.

GENERAL SAFETY RULES

- Do not put any object into openings. Do not use with any opening blocked; keep openings free of dust, lint, hair, and anything that may reduce air flow.
- Check the work area before each use. Remove all objects such as rocks, broken glass, nails, wire, or string which can be thrown or become entangled in the machine.
- Use only identical manufacturer's replacement parts and accessories. Use of any other parts may create a hazard or cause product damage.
- Do not charge battery tool in rain, or damp or wet location. Following this rule will reduce the risk of electric shock.
- For household use only.
- Battery tools do not have to be plugged into an electrical outlet; therefore, they are always in operating condition. Be aware of possible hazards when not using your battery tool or when changing accessories. Following this rule will reduce the risk of electric shock, fire, or serious personal injury.
- Remove or disconnect battery before servicing, cleaning or removing material from the gardening appliance.
- Use only Greenworks batteries (Model # 2901302)
- Store idle appliances - When not in use, blower should be stored indoors in a dry, locked place out of the reach of children.
- Do not dispose of batteries in fire, as the cells can explode. Check with local codes for possible special disposal requirements.
- Do not open or mutilate the batteries. Released electrolyte is corrosive and may cause damage to the eyes or skin. It may be toxic if swallowed.
- Do not place battery tools or their batteries near fire or heat. This will reduce the risk of explosion and possibly injury.
- Batteries can explode in the presence of a source of ignition, such as a pilot light. To reduce the risk of serious personal injury, never use any cordless product in the presence of open flame. An exploded battery can propel debris and chemicals. If exposed, flush with water immediately.
- Do not crush, drop or damage battery pack. Do not use a battery pack or charger that has been dropped or received a sharp blow. A damaged battery is subject to explosion. Properly dispose of a dropped or damaged battery immediately.
- Exercise care in handling batteries in order not to short the battery with conducting materials such as rings, bracelets, and keys. The battery or conductor may overheat and cause burns. Do not open or mutilate the batteries. Released electrolyte is corrosive and may cause damage to the eyes or skin. It may be toxic if swallowed.
- For best results, your battery tool should be charged in a location where the temperature is more than 50°F but less than 100°F. To reduce the risk of serious personal injury, do not store outside or in vehicles.
- Under extreme usage or temperature conditions, battery leakage may occur. If liquid comes in contact with your skin, wash immediately with soap and water, then neutralize with lemon juice or vinegar. If liquid gets into your eyes, flush them with clean water for at least 10 minutes, then seek immediate medical attention. Following this rule will reduce the risk of serious personal injury.
- If the power supply cord is damaged, it must be replaced only by the manufacturer or by an

GENERAL SAFETY RULES

authorized service center to avoid risk.

- Do not point the blower nozzle in the direction of people or pets.
- Never run the unit without the proper equipment attached. Always ensure the blower tube is installed.
- When not in use, blower should be stored indoors in a dry, locked up place—out of the reach of children.
- Maintain tool with care. Keep fan area clean for best and safest performance. Follow instructions for proper maintenance. Do not attempt to clear clogs from tool without first removing the battery.
- To reduce the risk of electrical shock, do not expose to rain, do not use on wet surfaces. Store indoors.
- Do not handle the charger, including the charger plug and terminals, with wet hands.
- Use only the charger supplied by the manufacturer to recharge the battery.
- Do not charge the battery outdoors.
- Do not use around flammable or combustible liquids, such as gasoline.
- Save these instructions. Refer to them frequently and use them to instruct others who may use this power tool. If you loan someone this power tool, loan them these instructions also.

CHILD SAFETY

Tragic accidents can occur if the operator is not aware of the presence of children.

- Keep children out of the working area and under the watchful care of a responsible adult.
- Do not allow children under the age of 14 to operate this blower. Children who are 14 years of age and older must read and understand the operating instructions and safety rules in this manual and must be trained and supervised by a parent.
- Stay alert, and turn the blower off if a child or any other person enters the working area.
- Use extreme care when approaching blind corners, doorways, shrubs, trees, or other objects that may obscure your view of a child who may run into the path of the blower.

WARNING (PROPOSITION 65)












Some dust created by power sanding, sawing, grinding, drilling, and other construction activities contains chemicals known to cause cancer, birth defects or other reproductive harm. Some examples of these chemicals are:

- Lead from lead-based paints
- Crystalline silica from bricks and cement and other masonry products, and
- Arsenic and chromium from chemically treated lumber.

Your risk of exposure to these chemicals varies depending on how often you do this type of work. To reduce your exposure to these chemicals, work in a well-ventilated area, and work with approved safety equipment, such as dust masks that are specially designed to filter out microscopic particles.




SYMBOLS

Some of the following symbols may be used on this product. Please study them and learn their meaning. Proper interpretation of these symbols will allow you to operate the product better and safer.

SYMBOL	NAME	DESIGNATION/EXPLANATION
V	Volts	Voltage
A	Amperes	Current
Hz	Hertz	Frequency (cycles per second)
W	Watts	Power
min	Minutes	Time
~	Alternating Current	Type of current
=	Direct Current	Type or a characteristic of current
	No Load Speed	Rational speed, at no load
/min	Per Minute	Revolutions, strokes, surface speed, orbits etc., per minute
	Wet Conditions Alert	Do not expose to rain or use in damp locations
	Read The Operator's Manual	To reduce the risk of injury user must read and understand operator's manual before using this product.
	Eye and Hearing Protection	Always wear eye protection with side shields marked to comply with ANSI Z87.1 along with hearing protection when operating this equipment.
	Safety Alert	Precautions that involve your safety.
	Long Hair	Failure to keep long hair away from the air inlet could result in personal injury.
	Loose Clothing	Failure to keep loose clothing from being drawn into air intake could result in personal injury.
	Keep Bystanders Away	Keep all bystanders at least 50 ft. away.
	Blower Tubes	Do not operate without tubes in place.
	Impeller Blades	Rotating impeller blades can cause severe injury.
	Class II Construction	Double-insulated construction.

SYMBOLS

The following signal words and meanings are intended to explain the levels of risk associated with this product.

SYMBOL	SIGNAL	MEANING
	DANGER	Indicates an imminently hazardous situation, which, if not avoided, will result in death or serious injury.
	WARNING	Indicates a potentially hazardous situation, which, if not avoided, could result in death or serious injury.
	CAUTION	Indicates a potentially hazardous situation, which, if not avoided, may result in minor or moderate injury.
	CAUTION	(Without Safety Alert Symbol) Indicates a situation that may result in property damage.

SERVICE

Servicing requires extreme care and knowledge and should be performed only by a qualified service technician. For service we suggest you return the product to your nearest **AUTHORIZED SERVICE CENTER** for repair. When servicing, use only identical replacement parts.

W A R N I N G

To avoid serious personal injury, do not attempt to use this product until you have read this Owner's Manual thoroughly and understand it completely. If you do not understand the warnings and instructions in this Owner's Manual, do not use this product. Call the Toll-free Helpline (1-888-909-6757) for assistance. The operation of any power tool can result in foreign objects being thrown into your eyes, which can result in severe eye damage. Before operating a power tool, always wear safety goggles, safety glasses with side shields, or a full face shield when needed. We recommend a Wide Vision Safety Mask for use over eyeglasses or standard safety glasses with side shields. Always use eye protection that is marked to comply with ANSI Z87.1.

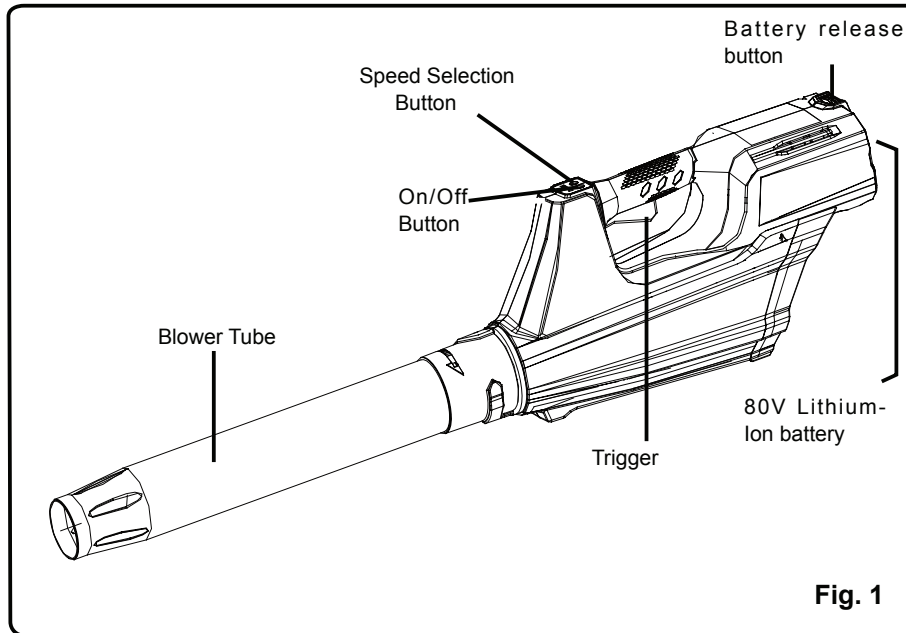
W A R N I N G



The operation of any power tool can result in foreign objects being thrown into your eyes, which can result in severe eye damage. Before beginning power tool operation, always wear safety goggles or safety glasses with side shields and, when needed, a full face shield. We recommend Wide Vision Safety Mask for use over eyeglasses or standard safety glasses with side shields. Always use eye protection which is marked to comply with ANSI Z87.1.

SAVE THESE INSTRUCTIONS

KNOW YOUR BLOWER



KNOW YOUR BLOWER (See Figure 1.)

The safe use of this product requires an understanding of the information on the product and in this operator's manual as well as a knowledge of the project you are attempting. Before use of this product, familiarize yourself with all operating features and safety rules.

ON/OFF BUTTON

Turns power on/off. Will hear and audible beep when power is turned on.

TRIGGER

Starts/stops the flow of air through the blower.

SPEED SELECTION BUTTON

Increases or reduces the air velocity of the blower. Three speed settings of low, medium, and high.

Speed 1 (Low): 68 MPH / 275 CFM

Speed 2 (Medium): 99 MPH / 397 CFM

Speed 3 (High): 125 MPH / 500 CFM

BATTERY RELEASE BUTTON

Releases the battery pack from the blower

BLOWER TUBE

The blower tube can be easily installed on the blower without any additional tools.

ASSEMBLY INSTRUCTION

W A R N I N G

If any parts are damaged or missing, do not operate this product until the parts are replaced. Use of this product with damaged or missing parts could result in serious personal injury.

W A R N I N G

Do not attempt to modify this product or create accessories not recommended for use with this blower. Any such alteration or modification is misuse and could result in a hazardous condition leading to possible serious personal injury.

UNPACKING

- Carefully remove the product and any accessories from the box. Make sure that all items listed in the packing list are included.
-

W A R N I N G

Do not use this product if any parts on the packing list are already assembled to your product when you unpack it. Parts on this list are not assembled to the product by the manufacturer and require customer installation. Use of a product that may have been improperly assembled could result in serious personal injury.

- Inspect the tool carefully to make sure no breakage or damage occurred during shipping.
- Do not discard the packing material until you have carefully inspected and satisfactorily operated the tool.
- If any parts are damaged or missing, please return the product to the place of purchase.

PACKING LIST

Blower

Blower tube

Greenworks 80V Battery (Model#: 2901302)

Greenworks 80V Charger (Model#: 2901402)

Owner's Manual

ASSEMBLY INSTRUCTION

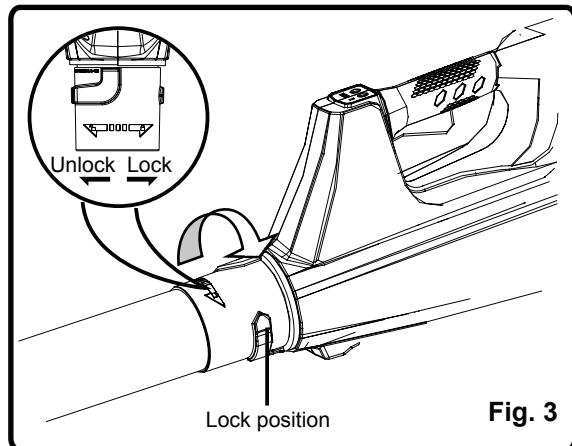
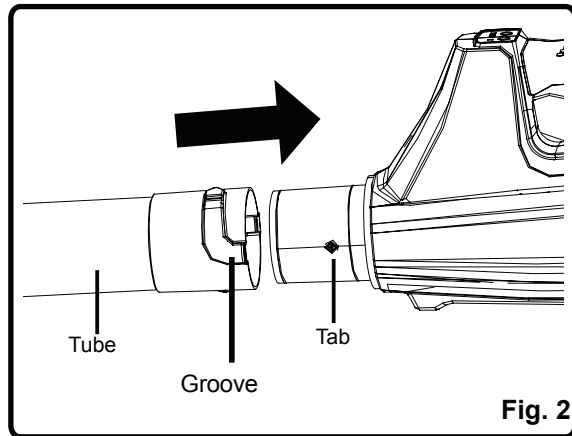
ASSEMBLING THE BLOWER TUBE

⚠ WARNING

To prevent accidental starting that could cause serious personal injury, always remove the battery pack from the tool when assembling parts.

1. Align either of the grooves in the tube with the tabs on the blower housing. Push the tube onto the blower housing until the tab engages the grooves (Fig. 2).

2. Turn the tube in the direction of the arrow until both of the tabs slide into the lock positions (Fig. 3).



OPERATION

⚠ WARNING

Do not allow familiarity with this product to make you careless. Remember that a careless fraction of a second is sufficient to inflict serious injury.

⚠ WARNING

Always wear eye protection with side shields marked to comply with ANSI Z87.1, along with hearing protection. Failure to do so could result in objects being thrown into your eyes and other possible serious injuries.

⚠ WARNING

Do not use any attachments or accessories not recommended by the manufacturer of this product. The use of attachments or accessories not recommended can result in serious personal injury.

Before each use, inspect the entire product for damaged, missing, or loose parts, such as screws, nuts, bolts, caps, etc. Tighten securely all fasteners and caps and do not operate this product until all missing or damaged parts are replaced.

APPLICATION

You may use this product for the purposes listed below:

- Clearing hard surfaces such as driveways and walkways.
- Keeping decks and driveways free from leaves and pine needles.

TO INSTALL/REMOVE BATTERY PACK (Fig.4)

TO INSTALL

- Align the ribs of the battery pack with the mounting slots in the blower's battery port.
- Insert the battery into the battery opening until the battery release button locks into place.

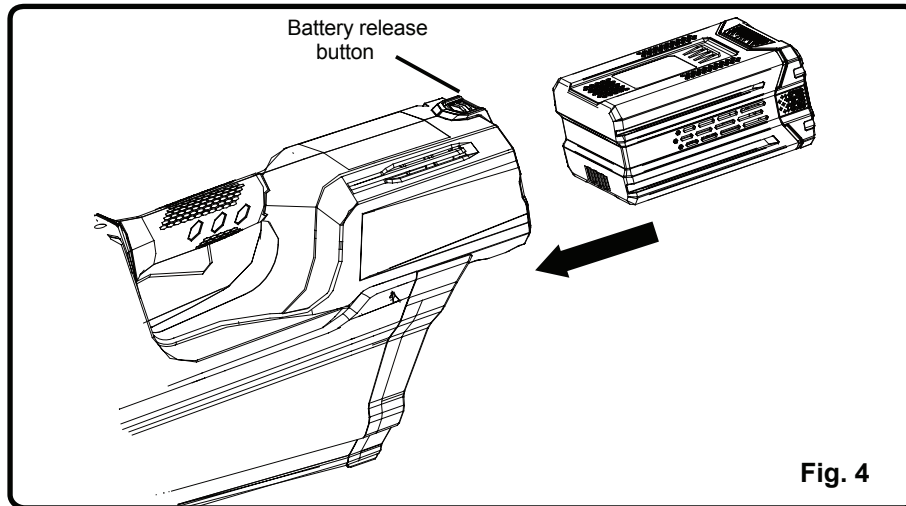
TO REMOVE

⚠ WARNING

Always take care of your feet, children, or pets around you when pressing the battery release button. Serious injury could result if the battery pack falls. NEVER remove the battery pack when in a high location.

- Press the battery release button on the blower. This will cause the battery to slightly protrude out of the tool.
- Grasp the blower firmly and pull the battery out of the handle.

OPERATION



CHARGE BEFORE FIRST USE.

⚠ WARNING

Always remove battery pack from the product when you are assembling parts, making adjustments, cleaning, or when not in use. Removing battery pack will prevent accidental starting that could cause serious personal injury.

OPERATION

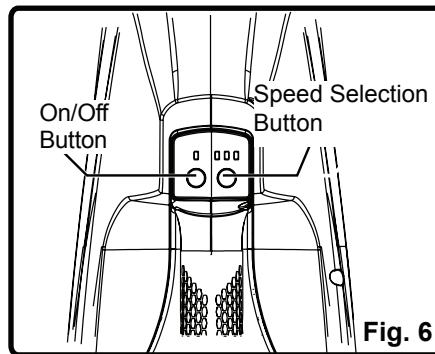
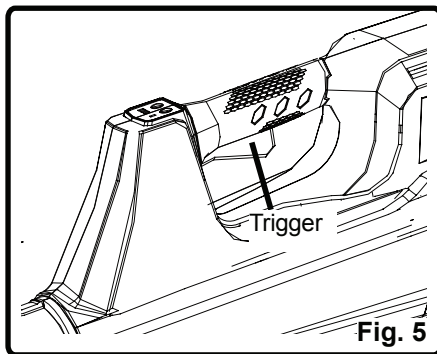
STARTING/STOPPING THE BLOWER (Fig.5)

- Ensure that the battery is installed in the blower
- To start the blower, press the On/Off Button located on the blower. You will hear two audible beeps signaling the blower is active.
- Squeeze the trigger to start the blower.
- Release the trigger to stop.

ADJUSTING THE AIR VELOCITY (Fig.6)

- Ensure that blower is on. The LED above the On/Off Button will illuminate.
- Press the Speed Selection Button to increase the air velocity to the desired setting.

Note: The current speed setting will remain even if the unit is turned off.



OPERATING THE BLOWER

- To keep from scattering debris, blow around the outer edges of a debris pile. Never blow directly into the center of a pile.
- To reduce sound levels, limit the number of pieces of equipment used at any one time.
- Use rakes and brooms to loosen debris before blowing. In dusty conditions, slightly dampen surfaces when water is available.
- Conserve water by using power blowers instead of hoses for many lawn and garden applications, including areas such as gutters, screens, patios, grills, porches, and gardens.
- Watch out for children, pets, open windows, or freshly washed cars, and blow debris safely away.
- After using blowers or other equipment, clean up. Dispose of debris properly.

MAINTENANCE

WARNING

In order to avoid personal injury and the risk of fire and electric shock, remove the battery pack before adjusting, inspecting, or cleaning the blower.

Cleaning

Remove the battery pack.

1. Brush or blow dust and debris out of the air vents using compressed air or a vacuum. Keep the air vents free of obstructions, sawdust, and wood chips. Do not spray, wash, or immerse the air vents in water.
2. Wipe off the housing and the plastic components using a moist, soft cloth. Do not use strong solvents or detergents on the plastic housing or plastic components. Certain household cleaners may cause damage, and may cause a shock hazard.

Battery Pack

- Store the battery pack fully charged.
- Once the light on the charger turns solid green, remove the battery from the charger and disconnect the charger from the outlet.
- Do not store the battery pack on the tool.
- After charging, the battery pack may be stored in the charger, as long as the charger is not plugged in.

Charger Maintenance

- Keep the charger clean and clear of debris. Do not allow foreign material to get into the recessed cavity or onto the contacts. Wipe the charger clean with a dry cloth. Do not use solvents or water, and do not place the charger in wet conditions.
- Unplug the charger when there is no battery pack in it.
- Fully charge the batteries before placing them in storage.
- Store the charger at normal room temperature. Do not store it in excessive heat. Do not use the charger in direct sunlight. Recharge at room temperature between 45°F and 104°F (7°C and 40°C). If the battery pack is hot, allow it to cool down inside of the charger. The battery will begin charging once it has returned to room temperature.

ENVIRONMENTALLY SAFE BATTERY DISPOSAL



The following toxic and corrosive materials are in the batteries used in this blower battery pack: **Lithium-Ion, a toxic material.**

W A R N I N G

All toxic materials must be disposed of in a specified manner to prevent contamination of the environment. Before disposing of damaged or worn out Lithium-Ion battery packs, contact your local waste disposal agency, or the local Environmental Protection Agency for information and specific instructions. Take the batteries to a local recycling and/or disposal centre, certified for lithium-ion disposal.

W A R N I N G

If the battery pack cracks or breaks, with or without leaks, do not recharge it and do not use. Dispose of it and replace with a new battery pack. **DO NOT ATTEMPT TO REPAIR IT!** To avoid injury and risk of fire, explosion, or electric shock, and to avoid damage to the environment:

- Cover the battery's terminals with heavy-duty adhesive tape.
 - DO NOT attempt to remove or destroy any of the battery pack components.
 - DO NOT attempt to open the battery pack.
 - If a leak develops, the released electrolytes are corrosive and toxic. DO NOT get the solution in the eyes or on skin, and do not swallow it.
 - DO NOT place these batteries in your regular household trash.
 - DO NOT incinerate.
 - DO NOT place them where they will become part of any waste landfill or municipal solid waste stream.
 - Take them to a certified recycling or disposal centre.
-

TROUBLESHOOTING

PROBLEM	POSSIBLE CAUSE	SOLUTION
Motor fails to start when switch trigger is depressed.	Battery is not secure.	Ensure that the battery is fully secured in the blower. Refer to Installing the Battery section in this manual.
	Battery is not charged.	Charge the battery pack according to the instructions included with your model.
Unit will not start.	Defective power switch.	Have the power switch replaced by an authorized service center.
The unit will start, but air will not flow through the tube.	Blocked tube.	Clear the blockage.

LIMITED FOUR-YEAR WARRANTY



GREENWORKS™ hereby warrants this product, to the original purchaser with **proof of purchase**, for a period of four (4) years against defects in materials, parts or workmanship. GREENWORKS™, at its own discretion will repair or replace any and all parts found to be defective, through normal use, free of charge to the customer. This warranty is valid only for units which have been used for personal use that have not been hired or rented for industrial/commercial use, and that have been maintained in accordance with the instructions in the owners' manual supplied with the product from new.

Battery and charger carry a two (2) year warranty against defects in workmanship and materials. Batteries must be charged in accordance with the operator's manuals directions and regulations in order to be valid.

ITEMS NOT COVERED BY WARRANTY:

1. Any part that has become inoperative due to misuse, commercial use, abuse, neglect, accident, improper maintenance, or alteration; or
2. The unit, if it has not been operated and/or maintained in accordance with the owner's manual; or
3. Normal wear, except as noted below;
4. Routine maintenance items such as lubricants, blade sharpening;
5. Normal deterioration of the exterior finish due to use or exposure.

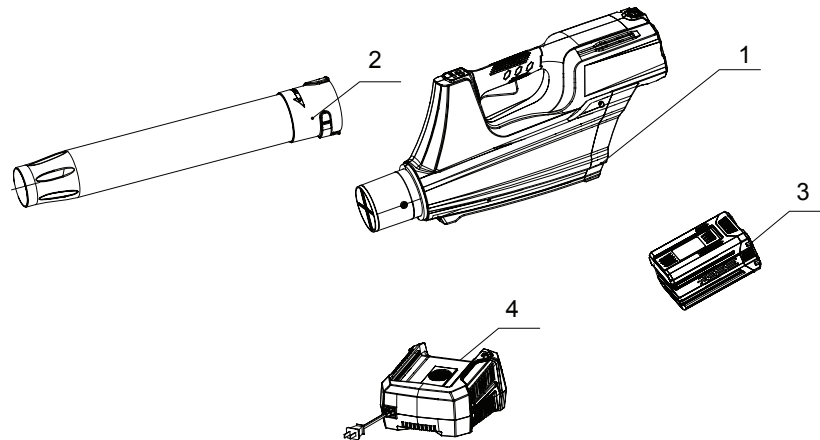
GREENWORKS HELPLINE (1 888 90WORKS):

Warranty service is available by calling our toll-free helpline at **1-888-909-6757 (1-888-90WORKS)**.

TRANSPORTATION CHARGES:

Transportation charges for the movement of any power equipment unit or attachment are the responsibility of the purchaser. It is the purchaser's responsibility to pay transportation charges for any part submitted for replacement under this warranty unless such return is requested in writing by GREENWORKS.

EXPLODED VIEW




PARTS LIST

Item No.	Part No.	Description	QTY
1	31101815	Blower Assembly	1
2	34103811	Blower Tube	1
3	311021009	80V 2Ah Battery Pack	1
4	311011010	80V Charger	1



TOLL-FREE HELPLINE: 1-888-90WORKS (888.909.6757)

Rev: 00 (11-08-14)

 Printed in China on 100% Recycled Paper